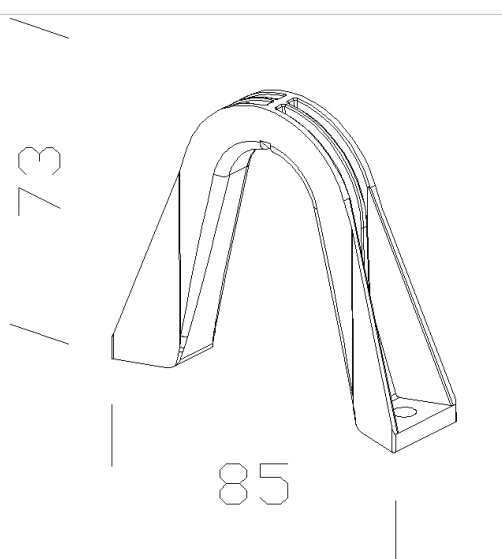
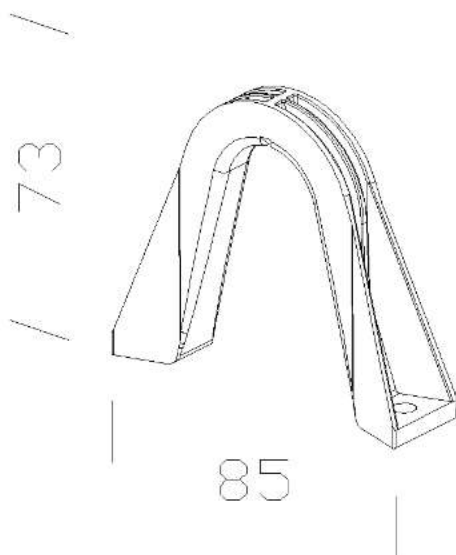


329 Sospensione

In pressofusione di alluminio. Da acquistare sempre per l'applicazione a sospensione.

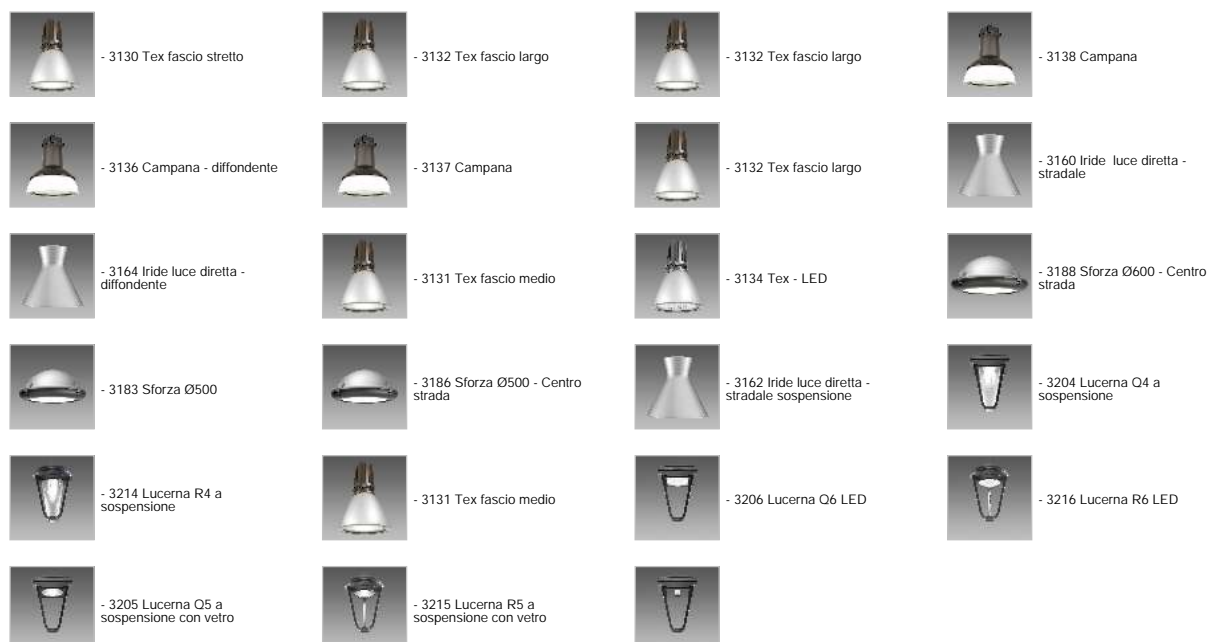
Download

DXF 2D
- 329.dxf



Code	Kg	WTot	Colour
998003-00	0,11	0 W	ANTRACITE
998060-00	0,04	0 W	GREY9007
998061-00	0,04	0 W	GRAFITE

Prodotti



The reported luminous flux is the flux emitted by the light source with a tolerance of $\pm 10\%$ compared to the indicated value. The W tot column indicates the total wattage absorbed by the system without exceeding 10% of the indicated