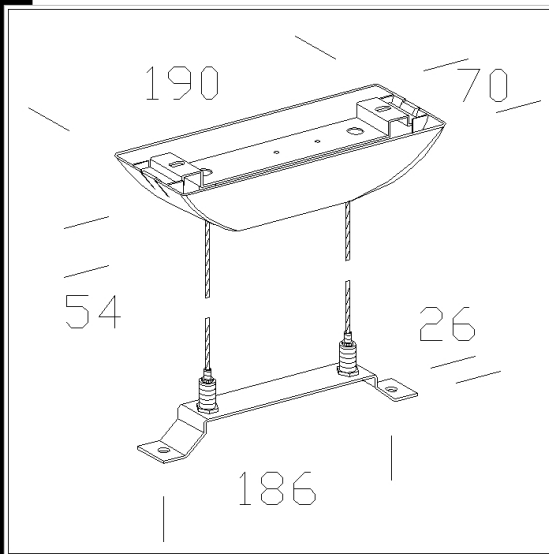


1916 Sospensione semplice

Copertura in nylon con staffe in acciaio.
Completa di cavetto in acciaio (l = 1,5 m) con dispositivo per regolazione millimetrica.



| Code | Kg | WTot | Colour |
|-----------|------|------|--------|
| 994646-00 | 0,30 | 0 W | BIANCO |

Prodotti



- 1903 Super - semplice 2+2



- 1901 Super - semplice 1+1

The reported luminous flux is the flux emitted by the light source with a tolerance of $\pm 10\%$ compared to the indicated value. The W tot column indicates the total wattage absorbed by the system without exceeding 10% of the indicated