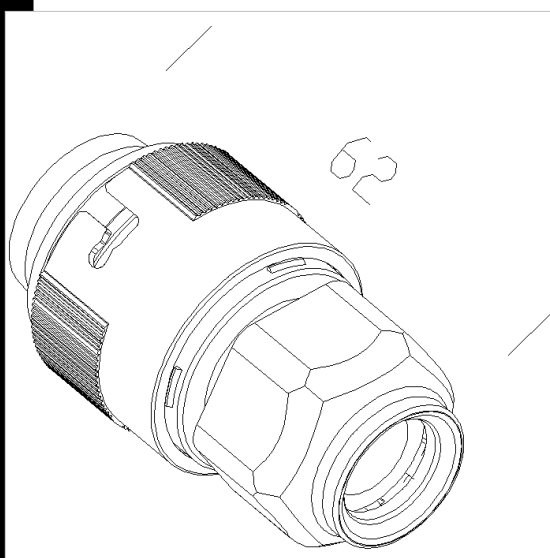
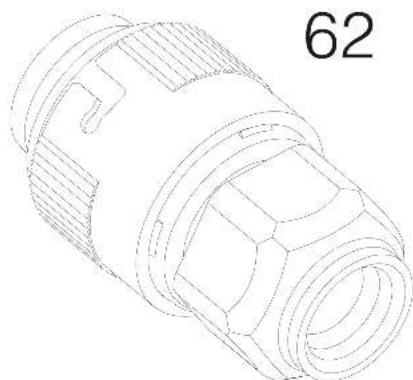


Download

DXF 2D
- 372.dxf



Code	Kg	WTot	Colour
998043-00	0,04	0 W	NOIR
998042-00	0,03	0 W	GRIS

Prodotti



The reported luminous flux is the flux emitted by the light source with a tolerance of $\pm 10\%$ compared to the indicated value. The W tot column indicates the total wattage absorbed by the system without exceeding 10% of the indicated

Prodotti



- 927 Echo - bilampe LED -
RADAR SENSOR



- 960 Hydro T5 - avec
connecteur

The reported luminous flux is the flux emitted by the light source with a tolerance of $\pm 10\%$ compared to the indicated value. The W tot column indicates the total wattage absorbed by the system without exceeding 10% of the indicated