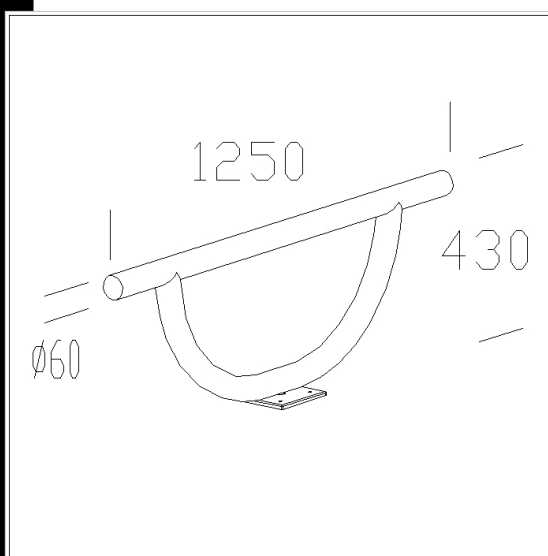
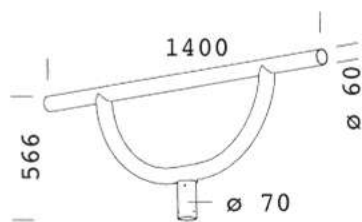


140 fixation double Giovi

En acier tropicalisé, verni par cataphorèse, finition bossée, à utiliser avec l'acc. 87.

Download

- DXF 2D
- att\_dop\_dxf
- Montaggi
- acc\_140.pdf



Code	Kg	WTot	Colour
991350-00	7,00	0 W	NOIR

Prodotti



- 1652 Giovi



- 1654 Giovi pistes cyclables

The reported luminous flux is the flux emitted by the light source with a tolerance of  $\pm 10\%$  compared to the indicated value. The W tot column indicates the total wattage absorbed by the system without exceeding 10% of the indicated