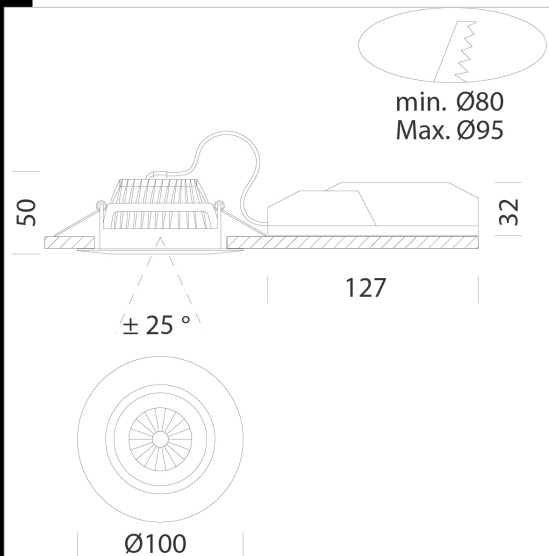
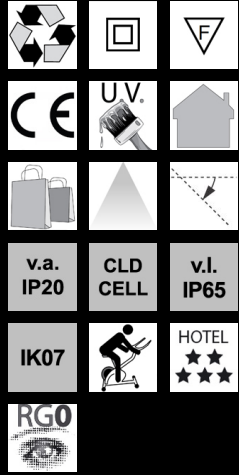


Marte 12

Corps: en aluminium moulé sous pression
 Réflecteur : polycarbonate métallisé haute performance.
 Normes: produit conforme aux normes EN60598 - CEI 34-21 et ayant un indice de protection IP44IK07 selon les normes EN60529.
 Groupe de risque photobiologique : Groupe 0 (exempt de risque).
 Facteur de puissance: $\geq 0,9$
 Maintien du flux lumineux à 80% 50000h (L80B20)
 encastrée Ø 80/95mm



Code	Gear	Kg	Lumen Output-K-CRI	WTot	Colour
22061804-00	CLD CELL	0,28	LED COB-724lm-3000K-40°-CRI 93	9 W	BIANCO
22061804-68	CLD CELL	0,28	LED COB-775lm-4000K-40°-CRI 93	9 W	BIANCO
22061804-1241	CLD CELL-D-D	0,28	LED COB-724lm-3000K-40°-CRI 93	10 W	BIANCO
22061804-6841	CLD CELL-D-D	0,28	LED COB-775lm-4000K-40°-CRI 93	10 W	BIANCO
22061804-09	CLD CELL-E	0,70	LED COB-724lm-3000K-40°-CRI 93	10 W	BIANCO
22061804-6809	CLD CELL-E	0,70	LED COB-775lm-4000K-40°-CRI 93	10 W	BIANCO
22061804-31	CLD CELL-E	0,70	LED COB-724lm-3000K-40°-CRI 93	10 W	BIANCO
22061804-3113	CLD CELL-E	0,70	LED COB-775lm-4000K-40°-CRI 93	10 W	BIANCO



Download

DXF 2D
 - marte12.dxf

Montaggi
 - MARTE_4-5-6-7-8-9-10-11-12
 rev6.pdf

BIM
 - Marte 12 - 20200224.zip

The reported luminous flux is the flux emitted by the light source with a tolerance of $\pm 10\%$ compared to the indicated value. The W tot column indicates the total wattage absorbed by the system without exceeding 10% of the indicated