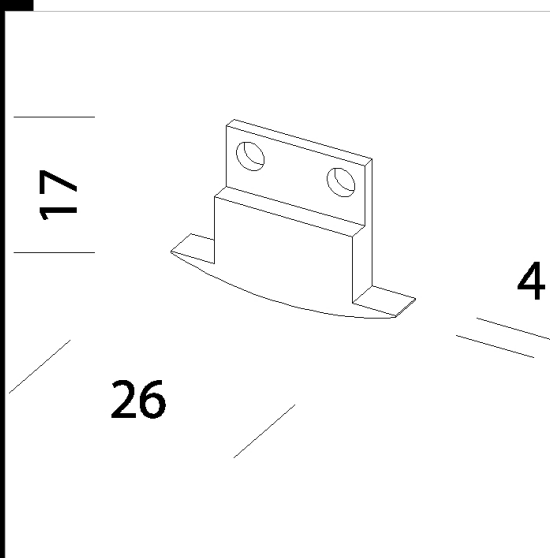
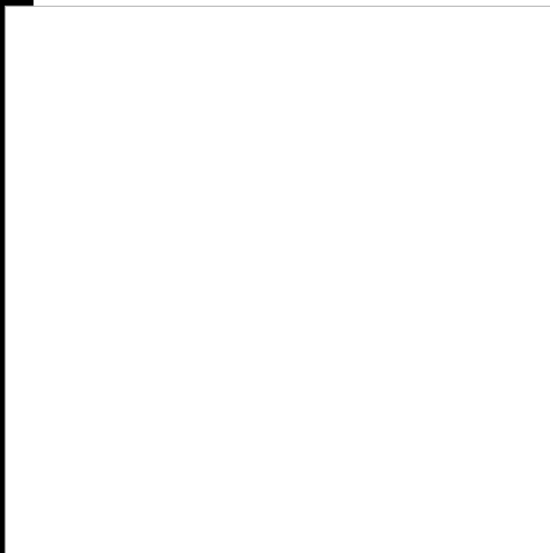


Calotte de fermeture - Linea LED

package containing 2 pc.

Download

DXF 2D
- 28070.dxf



Code	Kg	WTot
22028070-00	0,01	0 W

Prodotti



- Linea LED "arredi"

The reported luminous flux is the flux emitted by the light source with a tolerance of $\pm 10\%$ compared to the indicated value. The W tot column indicates the total wattage absorbed by the system without exceeding 10% of the indicated