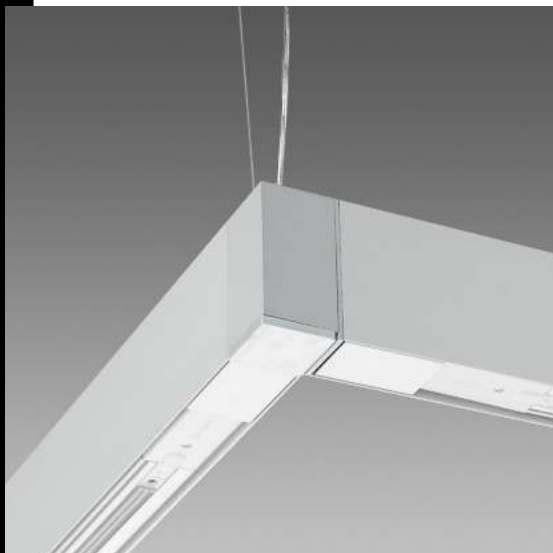


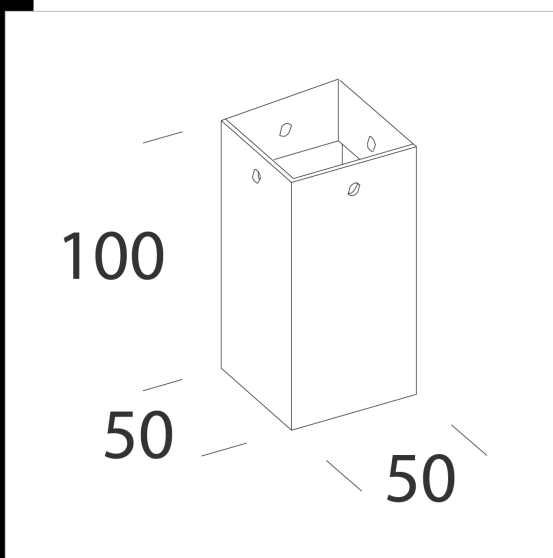


Download  
DXF 2D  
- giuntoang.dxf



## Jonction d'angle - Liset midpower

A utiliser pour l'installation du Liset à 90 degré



Code	Kg	WTot	Colour
22025814-00	0,20	0 W	BIANCO
22025874-00	0,25	0 W	ARGENTO

### Prodotti



- Liset MidPower - suspension



- Liset MidPower darklight -  
suspension - lumière



- Liset MidPower darklight -

The reported luminous flux is the flux emitted by the light source with a tolerance of  $\pm 10\%$  compared to the indicated value. The W tot column indicates the total wattage absorbed by the system without exceeding 10% of the indicated