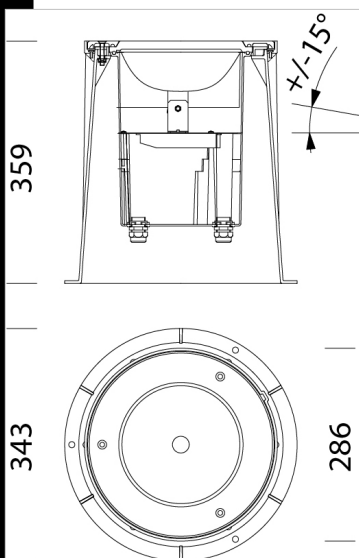


1678 Floor - LED ES swivelling in stainless steel AISI 316



Housing/Cover: in die-cast aluminium.
 Frame: in AISI 316L stainless steel.
 Diffuser: In clear tempered glass resistant to thermal shocks, impacts.
 Standard supply: Versions with fixing frame and recess mounting box in fiberglass nylon.
 Equipment: Silicone rubber gasket. Removable electric gear tray for easy maintenance. cable gland in fiberglass nylon Ø 1/2 gas thread.
 Regulations: Produced according to applicable EN60598-1 CEI 34-21 standards, IP67IK10 degree of protection according to EN 60529 standards
 The equipment has passed the static load resistance test (EN 60598-2-13) with an applied weight of 40KN equal to 4000Kg.
 Complete with power supply constant current 500mA.
 Upon request: version with IP68 protection with gel watertight system at the bottom of the fixture (not suited for underwater installation).
 Adjustable led plate.
 Photobiological safety class: exempt group



Download

DXF 2D
 - 1620-1678n.dxf

Montaggi
 - 1620-1678 incl.pdf
 - 1620_floor_led.pdf

Code	Gear	Kg	Lumen Output-K-CRI	WTot	Colour
530517-00	CLD CELL	5.84	LED white-1624lm-4000K-15°-CRI 90	21 W	STAINLESS STEEL

Accessories



- 369 connector



- 399 Connector for solid line

The reported luminous flux is the flux emitted by the light source with a tolerance of ± 10% compared to the indicated value. The W tot column indicates the total wattage absorbed by the system without exceeding 10% of the indicated