

## Liset 2.0 - A+2S

Liset 2.0 is a linear and modular lighting system that is easily customisable and capable of offering a series of lighting solutions in any setting, including retailing, artistic and cultural spaces or in entrance lobbies and/or hospitality facilities. Compact, elegant, flexible and small, Liset 2.0 is simple to install as a recessed, ceiling, suspension or track lamp. It is available in three versions: with dark light lamellar optics with  $URG < 19$ , or with either white or black polycarbonate comfort optics and polycarbonate opal diffuser. The entire range has latest generation 4000K LED sources with 80 and 90 CRI, making these products easy to fit into any lighting design project.

Liset 2.0 is a real multi-purpose lighting system studied to make the best use of the LED technology. Its clean lines and luminous efficiency ensure extraordinary light and colour effects.

The system's extreme flexibility is guaranteed by the numerous compositions that can be made using the angular module to create ALL LIGHT solutions, which can offer uniform lighting of the space and constant visual comfort.

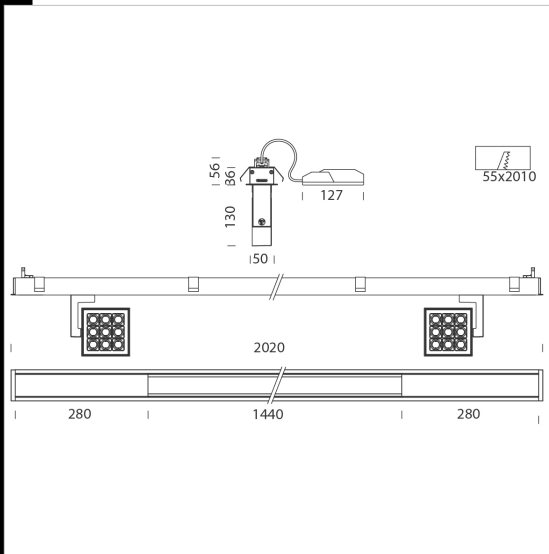
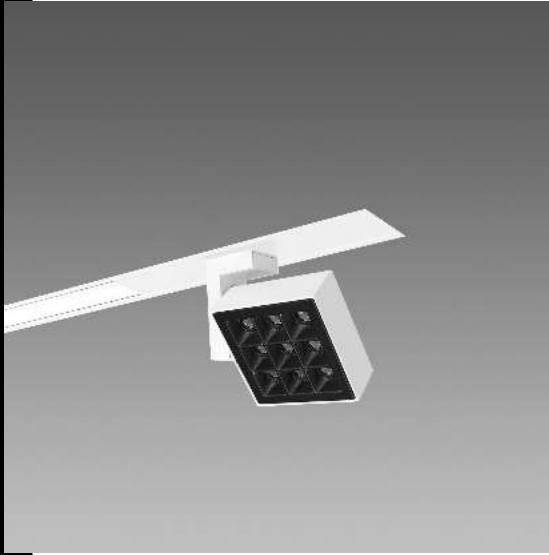
The system's main feature is the possibility to integrate a wide selection of additional recessed lights, ceiling spotlights and projectors from the Matrix Q series. Thanks to the different combinations of power, lumen, light beams and aesthetic finishes, Liset 2.0 System can perfectly fit into any architectural structure, enhancing both the showroom space and the items on display.

Housing: made of extruded aluminium. Heads: in die cast aluminium. LED: Luminous flux maintenance 80%: 50.000h (L80B20). Power factor: 0,92. Photobiological safety class: Exempt group.

Regulations: Produced according to applicable EN60598-1 CEI 34-21 standards, degree of protection according to EN 60529 standards.

Composition: Liset 2.0 with diffuser + 2 modules with 38° spotlight (upon request with 32° or 50° beam angles).

Standard version includes double switching. Upon request: available 3000K version with sub-code -39. PUSH-DIMM version with sub-code -1245. Available in version 1h EM with subcode -09 and 3h EM with subcode -31.



Code	Gear	Kg	Lumen Output-K-CRI	WTot	Colour
22302302-00	CLD	3,97	LED-3163lm-4000K-CRI 80 LED2x-2415lm-4000K-38°-CRI 90	101 W	WHITE
22302302-1241	CLD CELL-D-D	3,06	LED-3163lm-4000K-CRI 80 LED2x-2415lm-4000K-38°-CRI 90	101 W	WHITE



### Download

DXF 2D  
- 302302.dxf

Montaggi  
- composition.pdf  
- LISET\_2-0\_inc rev1.pdf

The reported luminous flux is the flux emitted by the light source with a tolerance of  $\pm 10\%$  compared to the indicated value. The W tot column indicates the total wattage absorbed by the system without exceeding 10% of the indicated