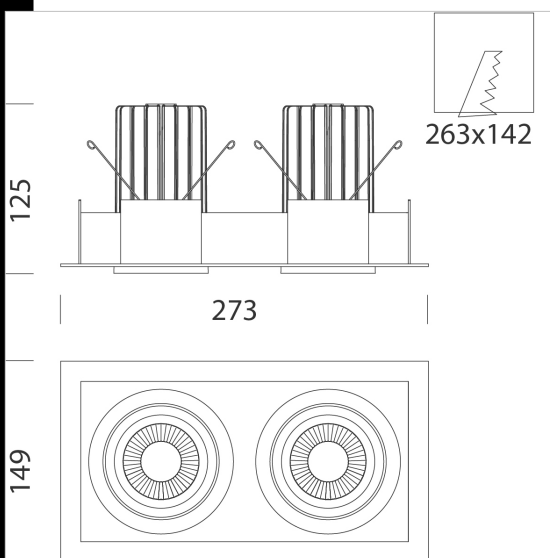
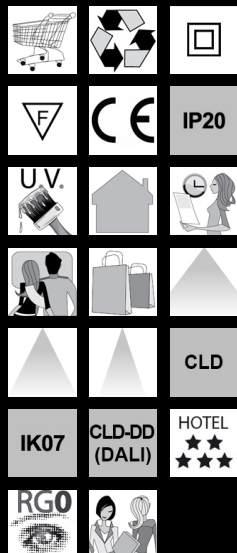


## Trimless 70 - B2

Housing: in die-cast aluminium with adjustable and tilting spotlights.  
 Equipment: equipped with galvanised steel support brackets which guarantee perfect attachment to suspended ceiling from 12 mm to 25 mm thick.  
 Reflector: high-efficiency metallised polycarbonate. Regulations: Manufactured in accordance with standards EN60598 – CEI 34 –21. Degree of protection in accordance with standards EN60529.  
 LED: High-efficiency light sources (CRI 90).  
 Power factor: >= 0.95  
 Photobiological safety class: Exempt group.  
 Luminous flux maintenance 80%: 50.000h (L80B20).  
 recessed Ø 263x142mm



Code	Gear	Kg	Lumen Output-K-CRI	WTot	Colour
22107210-00	CLD	1,70	LED COB2x-2160lm-3000K-21°-CRI 90	50 W	WHITE
22107210-1241	CLD CELLDD	1,70	LED COB2x-2160lm-3000K-21°-CRI 90	50 W	WHITE
22107211-00	CLD	1,70	LED COB2x-2225lm-4000K-21°-CRI 90	50 W	WHITE
22107211-1241	CLD CELLDD	1,70	LED COB2x-2225lm-4000K-21°-CRI 90	50 W	WHITE
22107212-00	CLD	1,70	LED COB2x-1847lm-3000K-28°-CRI 90	50 W	WHITE
22107212-1241	CLD CELL-D-D	1,70	LED COB2x-1847lm-3000K-28°-CRI 90	50 W	WHITE
22107213-00	CLD	1,70	LED COB2x-1986lm-4000K-28°-CRI 90	50 W	WHITE
22107213-1241	CLD CELLDD	1,70	LED COB2x-1986lm-4000K-28°-CRI 90	50 W	WHITE
22107214-00	CLD	2,10	LED COB2x-1912lm-3000K-40°-CRI 90	50 W	WHITE
22107214-1241	CLD CELLDD	1,70	LED COB2x-1912lm-3000K-40°-CRI 90	50 W	WHITE
22107215-00	CLD	1,70	LED COB2x-2056lm-4000K-40°-CRI 90	50 W	WHITE
22107215-1241	CLD CELLDD	1,70	LED COB2x-2056lm-4000K-40°-CRI 90	50 W	WHITE



### Download

DXF 2D  
 - trim70b2.dxf

Montaggi  
 - TRIMLESS-B\_50-70-111 rev3.pdf

The reported luminous flux is the flux emitted by the light source with a tolerance of ± 10% compared to the indicated value. The W tot column indicates the total wattage absorbed by the system without exceeding 10% of the indicated