

Snow 4 - IP65

Whether in the round or square version, this recessed LED spotlight is the perfect solution for installations that are designed to hide their physical presence once fitted.

These spotlights are shaped to blend perfectly into the false ceilings where they are fitted.

Housing: in die-cast aluminium with heat sink.

Coating: epoxy polyester powder coating resistant to UV rays.

Optics: anti-glare screened optics.

Standard gear: complete with nuts and screws in anti-corrosion stainless steel. Silicone rubber protection gasket compliant with French low-energy building standards (BBC).

Fixture equipped with trailing edge IGBT dimmer.

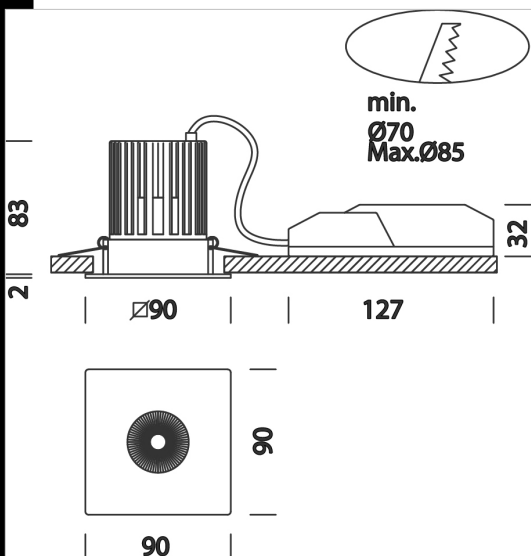
Standards: manufactured pursuant to EN 60598-1-CEI 34.21 and with a degree of protection pursuant to EN 60529.

LED: 80% luminous flux maintenance at 50,000 hrs (L80B20).

Photobiological safety class: exempt group EN62471.

DIM IGBT (dimmer must be specific for "LED+driver" configurations and equipped with adjustment for minimum brightness level).

Fitting hole: diameter 70/85 mm.



Code	Gear	Kg	Lumen Output-K-CRI	WTot	Colour
22082713-00	CLD	0,40	LED COB-957lm-3000K-38°-CRI 92	10 W	WHITE
22082733-00	CLD	0,43	LED COB-957lm-3000K-38°-CRI 92	10 W	BLACK
22082760-39	CLD	0,38	LED COB-957lm -3000K-38°-CRI 92	0 W	CHROME
22082714-00	CLD	0,38	LED COB-990lm-4000K-38°-CRI 92	10 W	WHITE
22082734-00	CLD	0,43	LED COB-990lm-4000K-38°-CRI 92	10 W	BLACK
22082760-00	CLD	0,38	LED COB-990lm-4000K-38°-CRI 92	0 W	CHROME

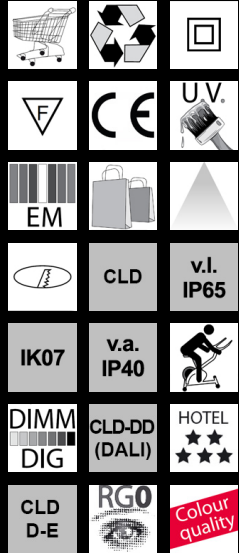
Accessori



- EM Kit Q



- Protective grig



Download

DXF 2D
- snow4.dxf

Montaggi
- SNOW_3-4 rev6.pdf

The reported luminous flux is the flux emitted by the light source with a tolerance of $\pm 10\%$ compared to the indicated value. The W tot column indicates the total wattage absorbed by the system without exceeding 10% of the indicated